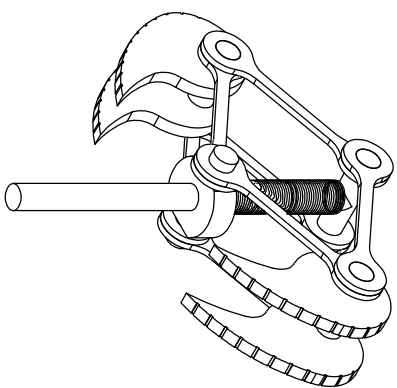
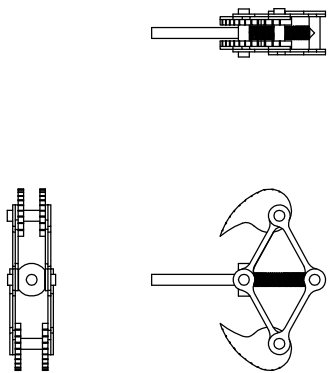
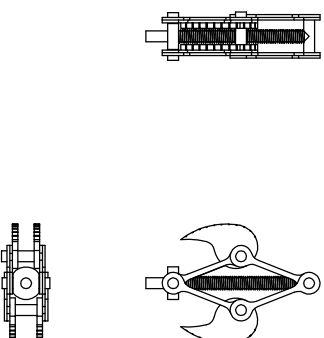


Cam in a relaxed position as it would be hanging from a harness



Sliding part on shaft operated by hand like standard camming devices ready for placement.



Not sure on this idea just something i knocked together quickly, I understand there is way too many parts to fail within this design hence why it's probably never been used by any manufactures.

Another small problem would be that the back pivoting point would bottom out at the back of shallow cracks meaning it would be a bit of a waste of time on anything to small. The idea with the design is the spring would return it to a relaxed position and hold it in a crack, and the wait of a fall would pull the central shaft down causing the outer lobes to grip harder, so in my opinion the theory works not sure if I would trust the quantity of parts though too much to go wrong.

P.S couldn't be arsed to draw in a nice handle or finger or thumb resting point, just use your imagination :)

